

# CONDOR 500

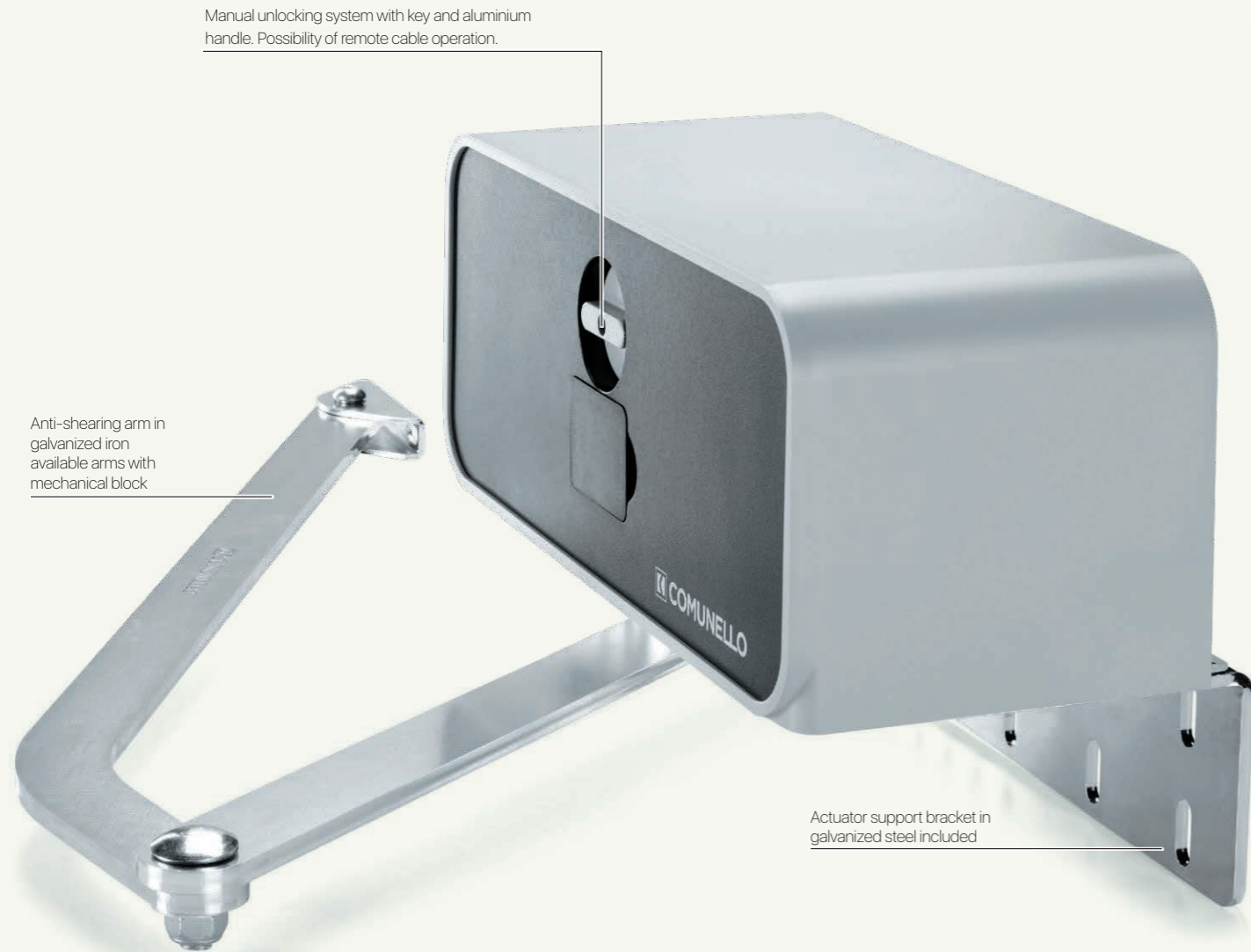
Automation for swing gates  
24 Vdc and 230 Vac

Life  
made  
easy



# CONDOR 500

Technical features



Actuator support bracket in galvanized steel included

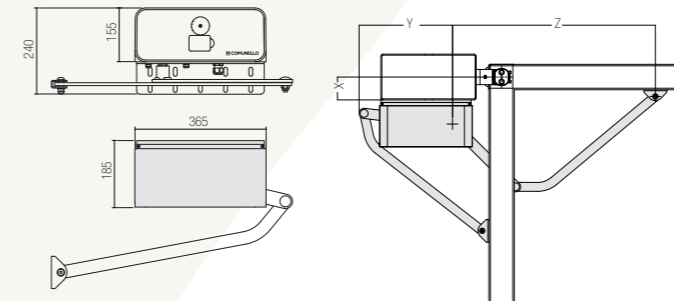


Integrated electromechanical limit switches



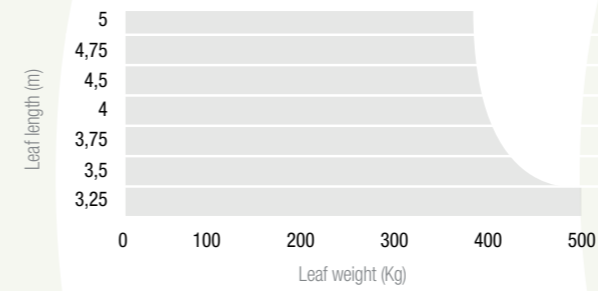
Every single product is duly tested at the end of each assembly line

## DIMENSIONS (mm)



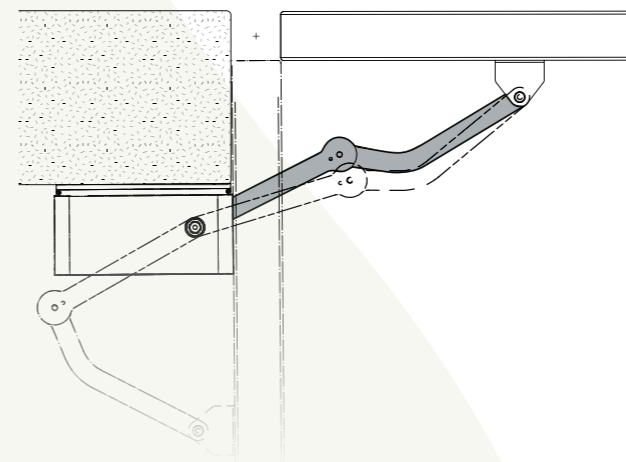
X	Z	Y
50	554	535
100	555	635
150	555	535
200	555	690

## OPERATING LIMITS CONDOR 500



## AC-102-103-104

Ambidextrous arms in painted steel with locking system



## Technical features

	CONDOR 500 24V	CONDOR 500 230V
Voltage	24 VDC	230 VAC 50 Hz
Power consumption	150 W	280 W
Max. absorption	6,5 A	1,2 A
Max. thrust	330 Nm	440 Nm
Duty cycle	Intensive use	50%
Protection degree (IP)	IP44	IP44
Insulation class	2	1 (earthing)
Working temperature	-20°C / +50°C	-20°C / +50°C
No-load speed	0,15 rad/sec	0,1 rad/sec
Weight	12 kg	12 kg



**CONDOR 500** 24V 230V  
up to 5 m



L = 385mm + 330mm



L = 503mm + 430mm



L = 238mm + 620mm

OFFICIAL DEALER:



AUTOMATION FOR GATES, DOORS AND BARRIERS

FRATELLI COMUNELLO S.P.A.

HEADQUARTERS

Via Zarpellon, 33

36027 San Giuseppe di Cassola, Vicenza, Italy

Tel. +39 0424 585111 Fax +39 0424 533417

info@comunello.it www.comunello.com

REGISTERED OFFICE

Via Cassola,64 - C.P.79

36027 Rosà, Vicenza, Italy

Tel. +39 0424 585111 Fax +39 0424 533417

info@comunello.it www.comunello.com